

LEDGER 2"x3"x8" wall RECTANGLE TUBE

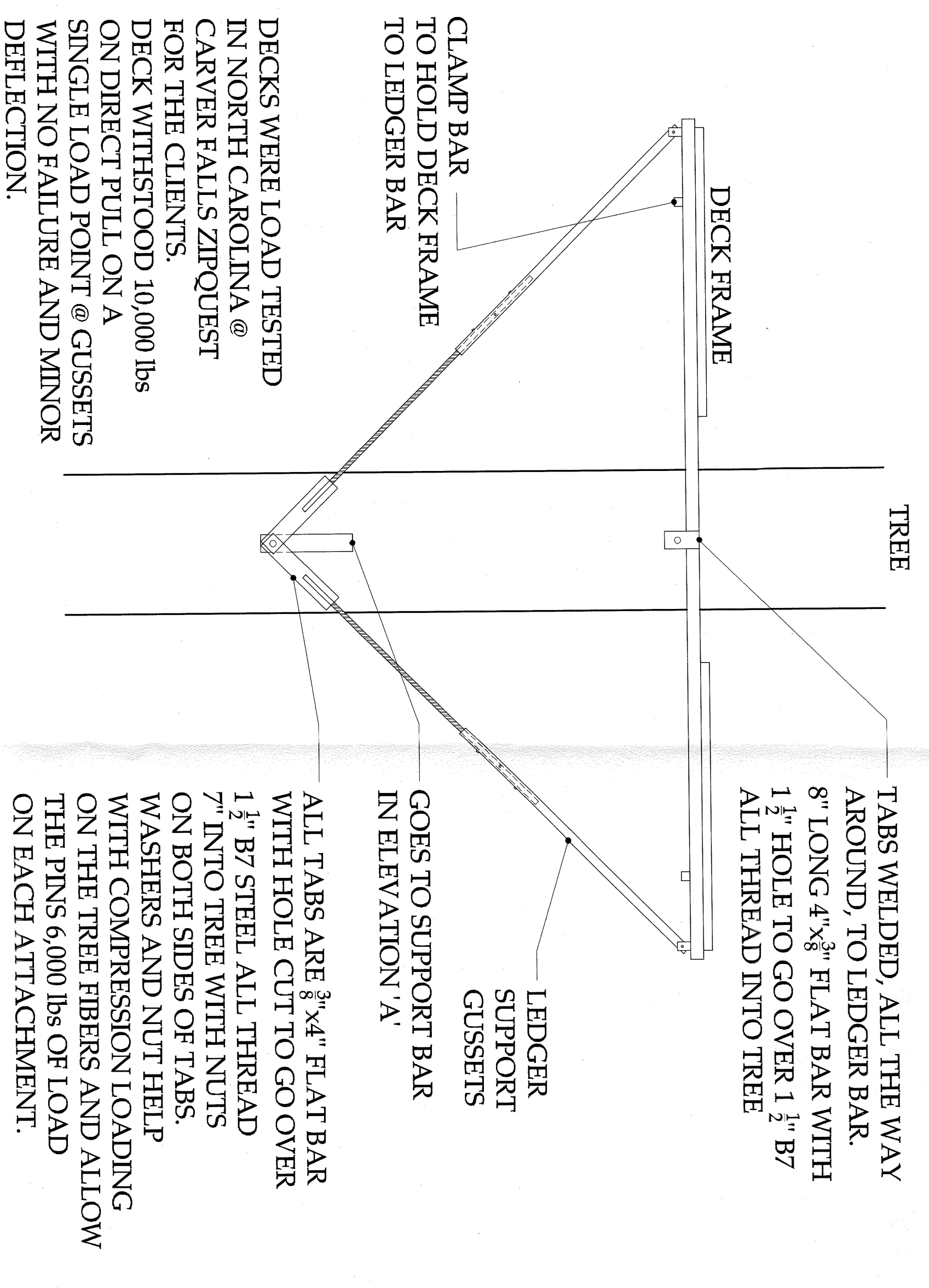
(2) 8" LONG 4"x8" FLAT BAR TABS WELDED TO LEDGER TUBE WITH HOLES IN BOTTOM TO GO OVER TREE PIN. WELD SPACER BETWEEN TABS TO PREVENT COMPRESSION WHEN NUTS ARE TIGHT.

1 1/2" B7 STEEL ALL THREAD 7" INTO TREE.

1 1/2" NUTS WITH 2 1/2" WASHERS

NOTE:
ALL THREAD LEFT LONG SO LEDGER CAN BE ADJUSTED TO TREE GROWTH.

DETAIL 'C'
SCALE: 3" = 1'-0"
DATE: 3/8/11



CLAMP BAR TO HOLD DECK FRAME TO LEDGER BAR

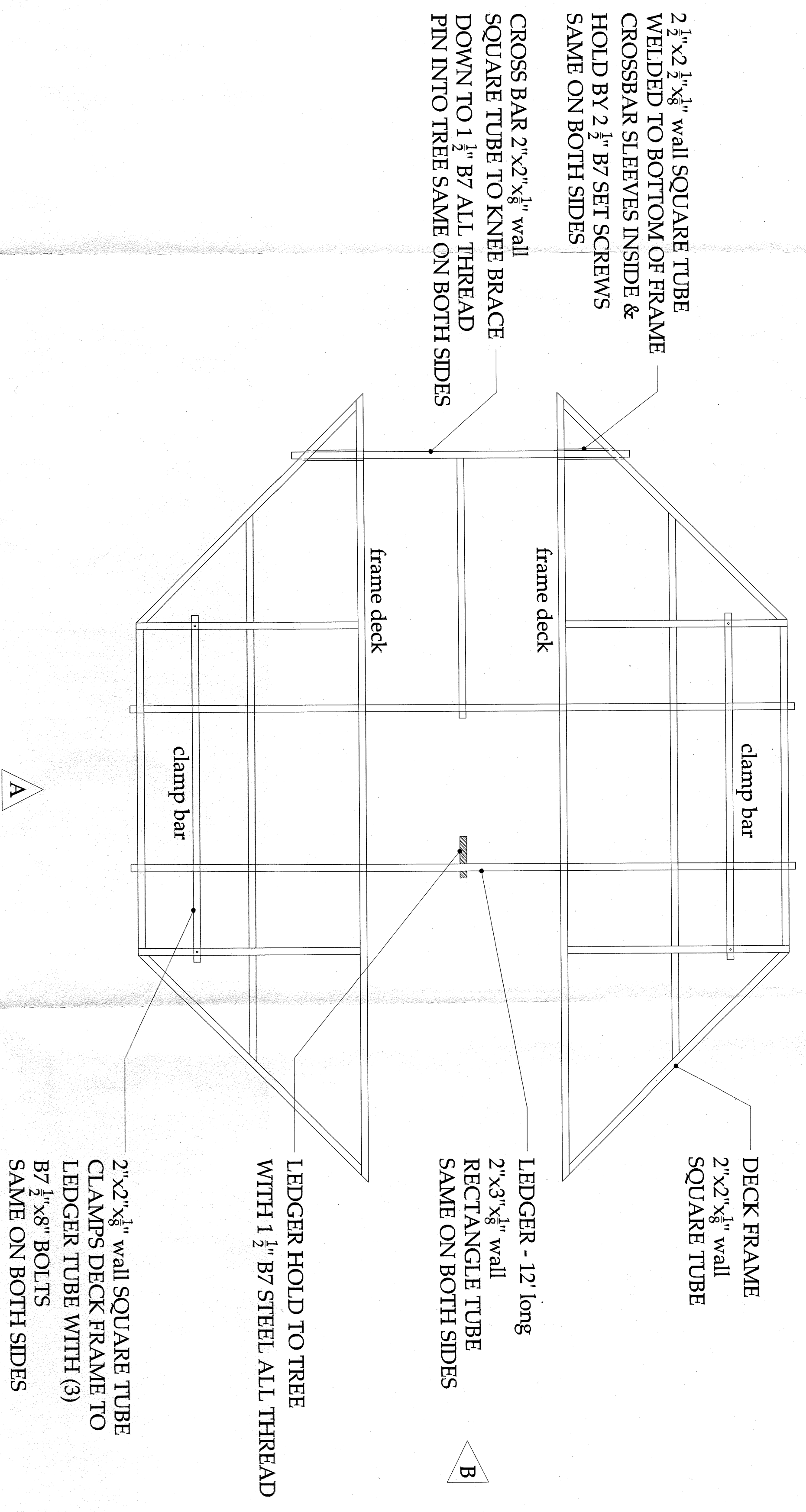
DECKS WERE LOAD TESTED IN NORTH CAROLINA @ CARVER FALLS ZIPQUEST FOR THE CLIENTS. DECK WITHSTOOD 10,000 lbs ON DIRECT PULL ON A SINGLE LOAD POINT @ GUSSETS WITH NO FAILURE AND MINOR DEFLECTION.

TABS WELDED, ALL THE WAY AROUND, TO LEDGER BAR. 8" LONG 4"x8" FLAT BAR WITH 1 1/2" HOLE TO GO OVER 1 1/2" B7 ALL THREAD INTO TREE

LEDGER SUPPORT GUSSETS GOES TO SUPPORT BAR IN ELEVATION 'A'

ALL TABS ARE 3/8"x4" FLAT BAR WITH HOLE CUT TO GO OVER 1 1/2" B7 STEEL ALL THREAD 7" INTO TREE WITH NUTS ON BOTH SIDES OF TABS. WASHERS AND NUT HELP WITH COMPRESSION LOADING ON THE TREE FIBERS AND ALLOW THE PINS 6,000 lbs OF LOAD ON EACH ATTACHMENT.

ZIP LINE PLATFORM ELEVATION 'B'
SCALE: 1/2" = 1'-0"
DATE: 3/8/11



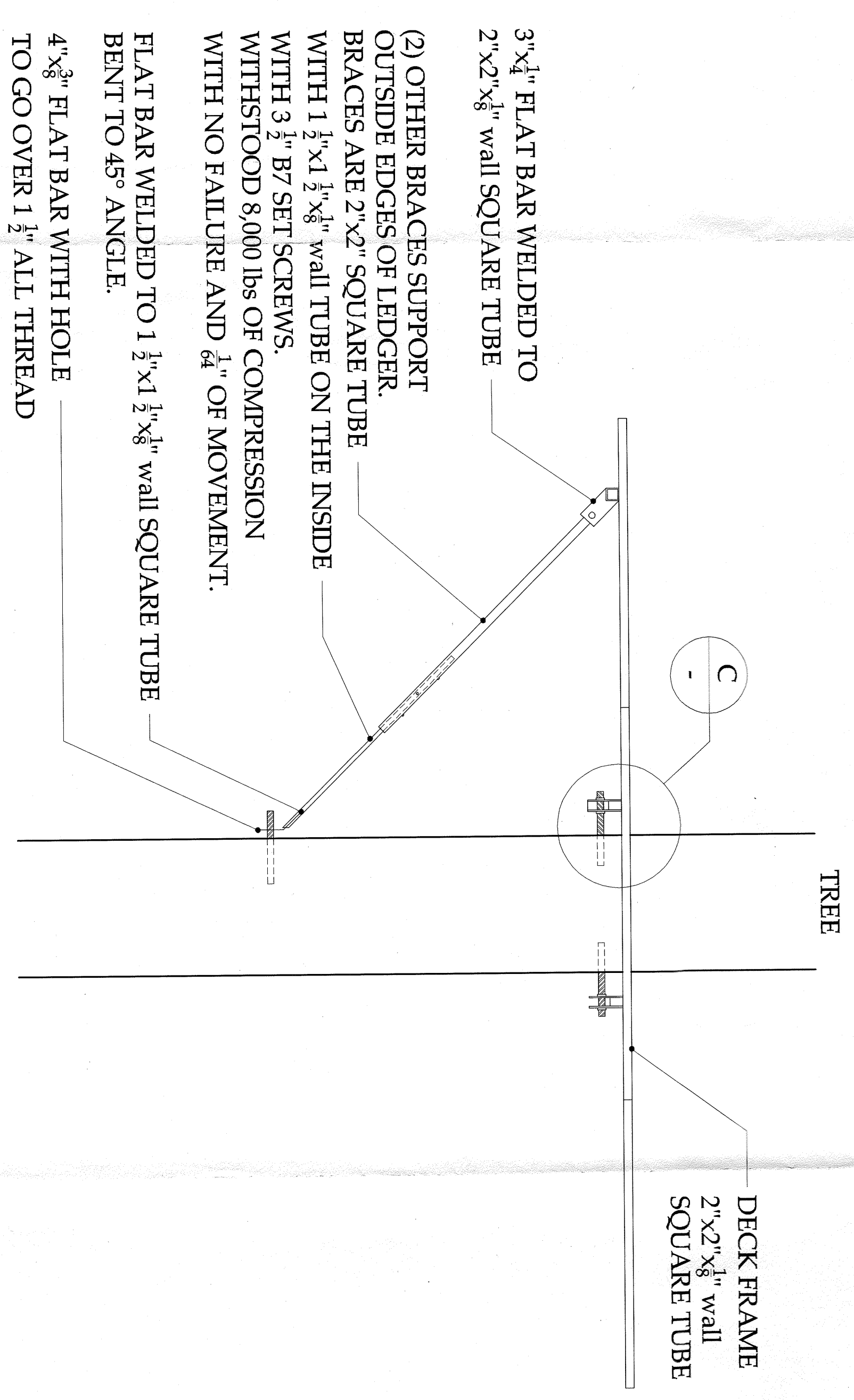
2 1/2"x2 1/2"x8" wall SQUARE TUBE WELDED TO BOTTOM OF FRAME CROSSBAR SLEEVES INSIDE & HOLD BY 2 1/2" B7 SET SCREWS SAME ON BOTH SIDES

CROSS BAR 2"x2"x8" wall SQUARE TUBE TO KNEE BRACE DOWN TO 1 1/2" B7 ALL THREAD PIN INTO TREE SAME ON BOTH SIDES

2"x2"x8" wall SQUARE TUBE CLAMPS DECK FRAME TO LEDGER TUBE WITH (3) B7 1/2"x8" BOLTS SAME ON BOTH SIDES

LEDGER - 12' long 2"x3"x8" wall RECTANGLE TUBE SAME ON BOTH SIDES

ZIP LINE PLATFORM PLAN
SCALE: 1/2" = 1'-0"
DATE: 3/8/11



3"x4" FLAT BAR WELDED TO 2"x2"x8" wall SQUARE TUBE

(2) OTHER BRACES SUPPORT OUTSIDE EDGES OF LEDGER. BRACES ARE 2"x2" SQUARE TUBE WITH 1 1/2"x1 1/2"x8" wall TUBE ON THE INSIDE WITH 3 1/2" B7 SET SCREWS. WITHSTOOD 8,000 lbs OF COMPRESSION WITH NO FAILURE AND 1/4" OF MOVEMENT.

FLAT BAR WELDED TO 1 1/2"x1 1/2"x8" wall SQUARE TUBE BENT TO 45° ANGLE.

4"x8" FLAT BAR WITH HOLE TO GO OVER 1 1/2" ALL THREAD

ZIP LINE PLATFORM ELEVATION 'A'
SCALE: 1/2" = 1'-0"
DATE: 3/8/11

